

LIFTMOORE 3660 CRANE

36,000 FT.-LB. MOMENT RATING
6,000 LB. MAXIMUM CAPACITY

Liftmoore's 3660 hydraulic powered crane is the crane for your extended duty requirements. This model is designed for applications requiring longer duty cycles such as loading or unloading and longer lifting operations. With its 36,000 Ft. Lb. moment rating and 6,000 Lb. maximum capacity at 6 Ft. the 3660 provides the needed capacity for most field service applications.

360 degree continuous and unlimited rotation is standard on the 3660. Rotation is through a 45:1 ratio worm gear reducer driving a gear bearing slewing ring

- **3660X-20** Power extension from 10 Ft to 16 Ft with a manual pull out to 20 Ft.
- **3660XP-20** Power extension from 10 Ft to 16 Ft. with a manual pull out to 20 Ft., Wireless proportional controls standard.



**Pressure Compensated
Flow Control**

**ANSI Rated
Worm Gear Winch**

Power Boom Elevation

Model 3660X-20

Worm Gear Rotation

**Rotates on Gear
Bearing Slewing Ring**

LOAD CAPACITY - LBS.

36,000 FT-LBS

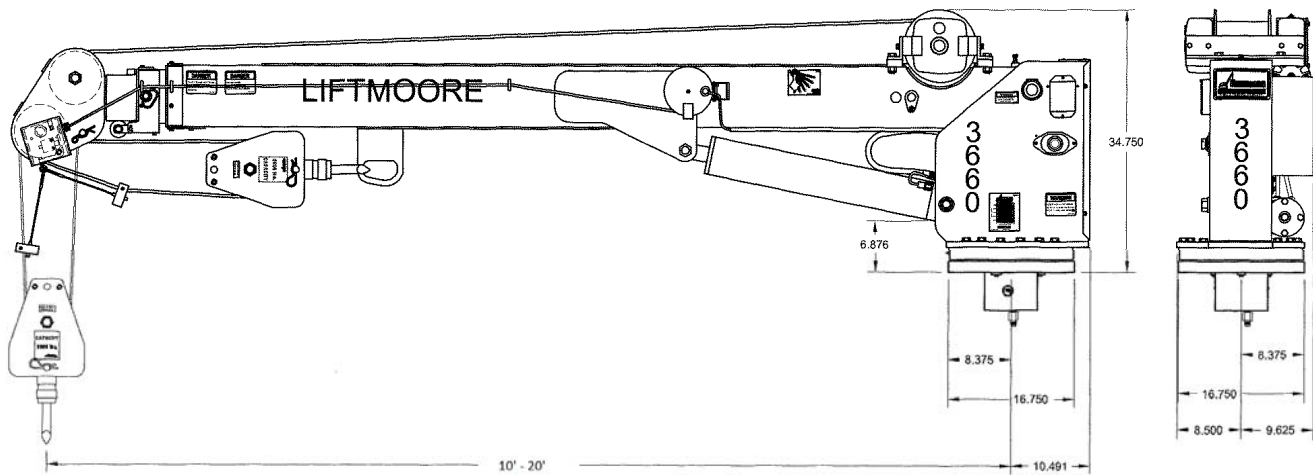
BOOM LENGTH - FT.	LOAD CAPACITY - LBS.					
	0°	15°	30°	45°	60°	75°
10	3600	3730	4160	5090	6000	6000
12	3000	3105	3465	4245	6000	6000
14	2570	2660	2970	3635	5145	6000
16	2250	2330	2600	3180	4500	6000
18	2000	2070	2310	2830	4000	6000
20	1800	1865	2080	2545	3600	6000



HOUSTON, TEXAS
 FAX: (800) 824-5559 (USA & Canada)
 FAX: (713) 688-6324
 PHONE: (713) 688-5533
 www.liftmoore.com



3660 SPECIFICATIONS



MOMENT RATING:

36,000 Ft.-Lbs.

HOIST WINCH:

The hoist winch is a worm gear design with 38:1 gear ratio. A multiple disk safety brake is installed on the worm shaft that incorporates a one way clutch that releases on winch up. The winch is powered by a low speed, high torque hydraulic motor. Single line no load speed of the winch is 20 ft. per minute at 6 GPM. Ratio between winch drum and wire rope meets ANSI B30.5 requirements.

** 6000 Lbs. @ 6 ft.	2250 Lbs. @ 16 ft.
** 4500 Lbs. @ 8 ft.	2000 Lbs. @ 18 ft.
3000 Lbs. @ 12 ft.	1800 Lbs. @ 20 ft.

** Two part line required for loads above 3000Lbs.

WIRE ROPE and SHEAVES:

The crane is supplied with 95 Ft. of 3/8 in. galvanized aircraft cable. Minimum breaking strength of the rope is 14,400 lbs. The wire rope is outside of the boom and visible for operators continual inspection. A 3-ton capacity thrust bearing swivel hook and traveling block for easy two-part hookup is included. All sheaves meet ANSI requirements.

BOOM:

The boom is capable of moving from -5 to +75 Degrees. It is elevated by a 4.50 In. bore double acting cylinder. The cylinder has an integral counterbalance valve with relief set at 2750 Psi. The counter balance valve will hold the cylinder in the event of hose failure and it controls the rate of boom decent.

Two Standard Booms as listed below:

Model 3660X-20:

The boom extends under power from 10 Ft. to 16 Ft. with a 4-Ft manual pull out to 20 Ft. with one intermediate position at 18 Ft.

Model 3660XP-20:

The boom extends under power from 10 Ft. to 16 Ft with a 4 Ft manual pull out to 20 Ft. Includes wireless proportional controls as standard.

HYDRAULIC SYSTEM:

For smooth operation and minimum heat buildup a pressure compensated flow control system is used. The system will not build up pressure above the level required to operate a function. This reduces the heat buildup in the oil and the power required from the engine. A series control circuit is used.

ROTATION SYSTEM:

Rotation is 360 degrees continuous and unlimited on a gear bearing with an internal gear driven by a worm gearbox. The worm gearbox ratio is 45:1 and it is driven by a low speed, high torque hydraulic motor.

CONTROLS:

3660X-20: A 25-Ft. long remote pendant is provided for control of each powered function. The pendant control is removable from the crane to prevent unauthorized use of the crane.

3660XP-20: is supplied with wireless proportional controls, allowing for precise handling of the load as the operator has control of the function's speed through a trigger switch mounted in the wireless transmitter.

LOAD SENSOR

A load-limiting sensor is installed in the elevation cylinder. This sensor will shut down hoist up, boom out & boom down when an overload is detected. The sensor will rest after the load is lowered.

ELECTRICAL:

The 3660 crane's functions are controlled by 12V DC electric solenoid valves. 25 Ft. of 10 gauge wire and a 15 Amp fuse are included.

ANTI TWO-BLOCK:

The anti two-block is standard on this crane and prevents extending the boom against the travel block with possible breakage of the cable

MOUNTING: A minimum 17,500 Lb. GVWR recommended.

Four 7/8" Grade 8 bolts are required. Bolts are not furnished. Mounting plate is 16-3/4" square with a 14-3/4" square bolt Patten.

ACCESSORIES:

An outrigger is needed for stability requirements of OSHA 1910.180. The outrigger is necessary to reduce the load on the crane's rotation mechanism and the truck's suspension. A Boom rest is also required. Liftmoore offers both as options.



HOUSTON, TEXAS
 FAX: (800) 824-5559 (USA & Canada)
 FAX: (713) 688-6324
 PHONE: (713) 688-5533
 www.liftmoore.com